

# Cable Spider Symphony A0\_0 for DOMINO Symphony Cable Specification

*January 5, 2007*

## **WARNING**

EURESYS S.A. shall retain all rights, title and interest in the hardware or the software, documentation and trademarks of EURESYS S.A.

All the names of companies and products mentioned in the documentation may be the trademarks of their respective owners.

The licensing, use, leasing, loaning, translation, reproduction, copying or modification of the hardware or the software, marks or documentation of EURESYS S.A. contained in this documentation, is not allowed without prior notice.

EURESYS S.A. may modify the product specifications or change the information given in this documentation at any time, in its discretion, and without prior notice.

EURESYS S.A. shall not be liable for any loss of or damage to revenues, profits, goodwill, data, information systems or other special, incidental, indirect, consequential or punitive damages of any kind arising in connection with the use of the hardware or the software of EURESYS S.A. or resulting of omissions or errors in this documentation



## Contents

|                                    |          |
|------------------------------------|----------|
| <b>1. CABLE REFERENCE.....</b>     | <b>3</b> |
| <b>1.1 Introduction.....</b>       | <b>3</b> |
| <b>1.2 Reference.....</b>          | <b>3</b> |
| <b>1.3 Overview.....</b>           | <b>4</b> |
| <b>2. CABLE SPECIFICATION.....</b> | <b>5</b> |
| <b>2.1 Cable Layout.....</b>       | <b>5</b> |
| <b>2.2 Bill of Material.....</b>   | <b>8</b> |
| <b>3. HISTORY.....</b>             | <b>9</b> |

# 1. CABLE REFERENCE

## 1.1 Introduction

This document specifies a RoHS cable assembly to use with a Domino Symphony board.

On Domino Symphony board, all cameras connections are available on a high-density 44-pin sub-D connector.

For each camera, the camera connector provides:

- 1 pair for analog video input (xV+, xV-)
- 5 camera control lines (xCCn)
- 1 pair for +12V camera power supply.

Camera are labeled x = A, B, C, D.

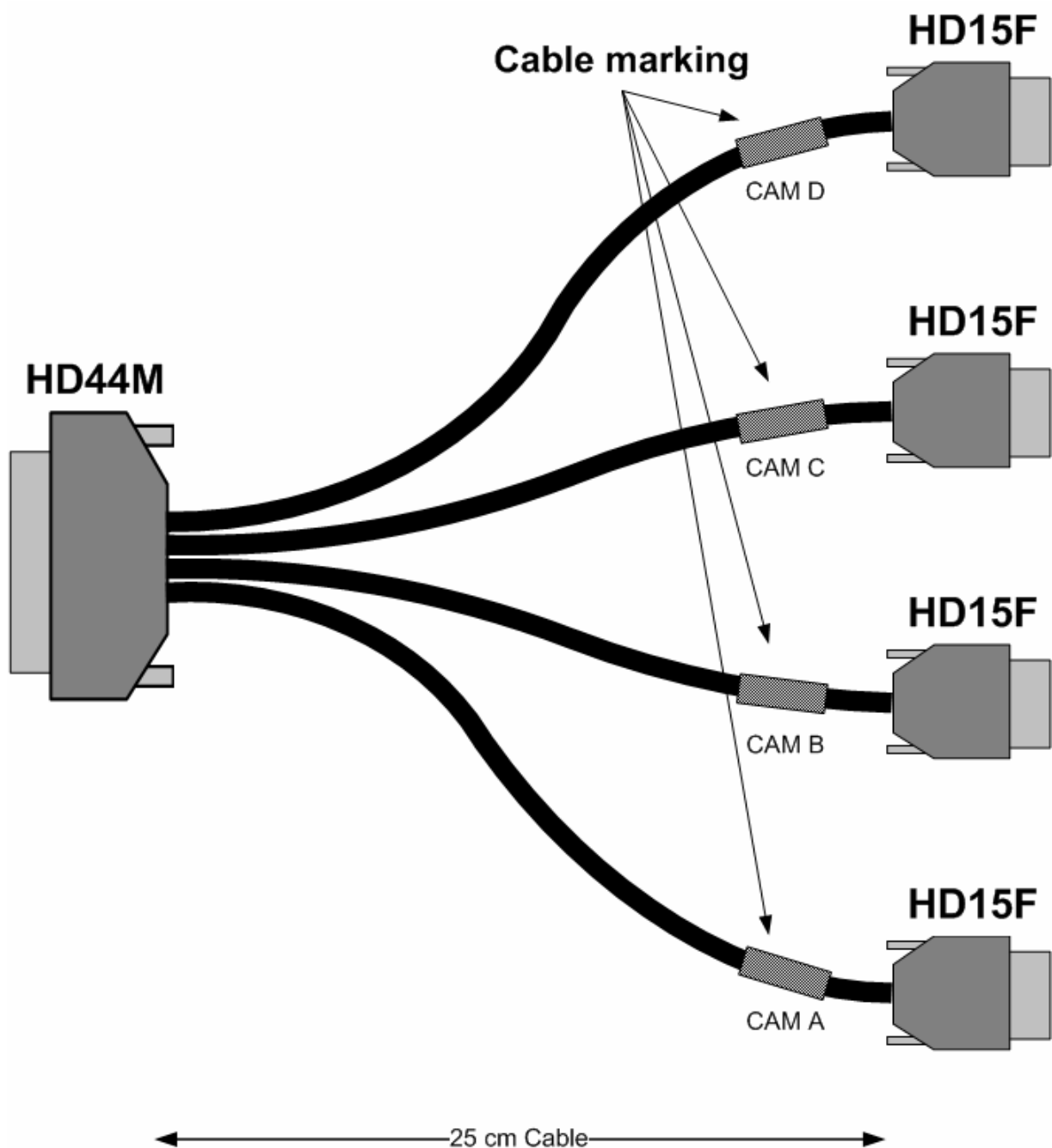
Camera control lines are labeled n = 1, 2, 3, 4, 5.

The cable defined in this document eases the integration of the board in a complete system.

## 1.2 Reference

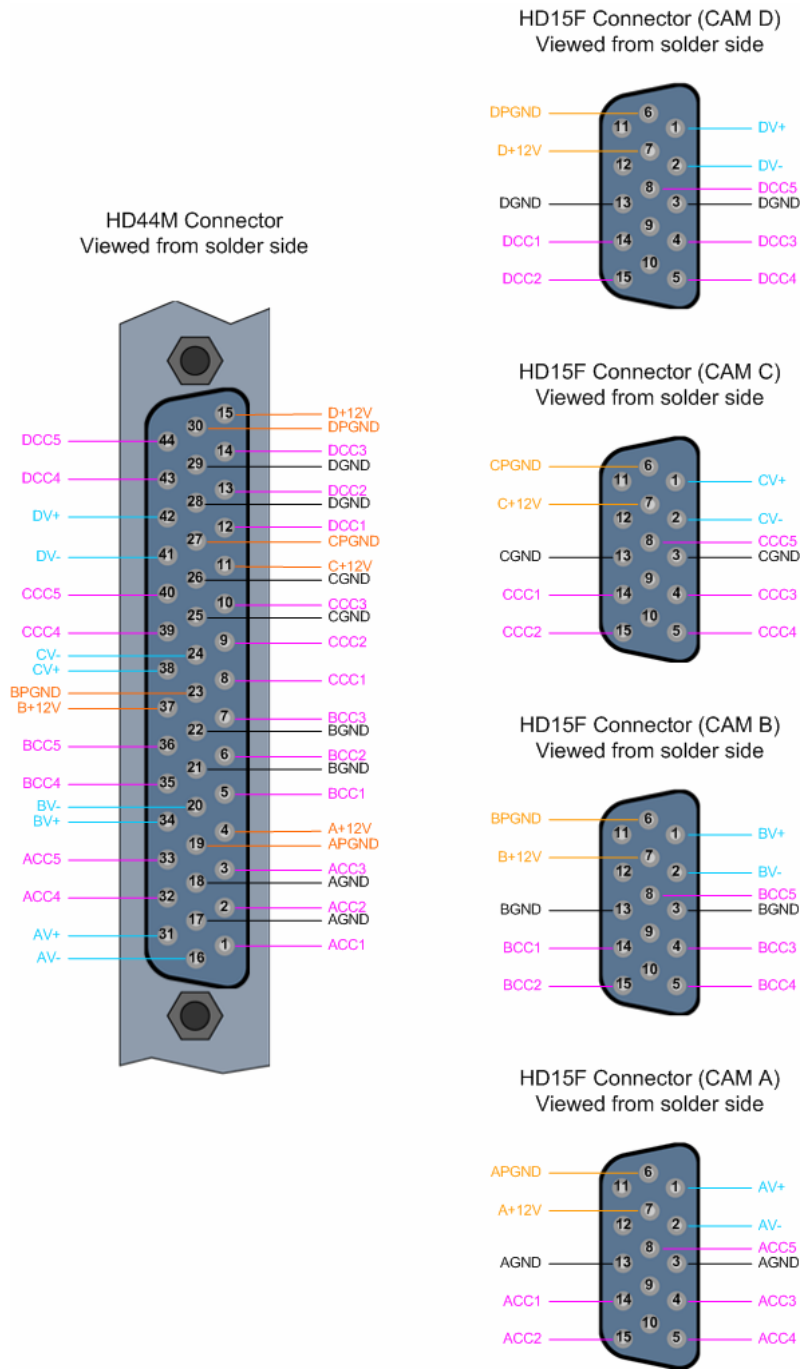
|                          | Assembly references   |
|--------------------------|-----------------------|
| Assembly name            | Cable Spider Symphony |
| Assembly type            | Cable                 |
| Assembly part number     | PLO xxxx              |
| Assembly design revision | A0_0                  |

### 1.3 Overview



## 2. CABLE SPECIFICATION

### 2.1 Cable Layout



| Signal       | HD44M pin # | HD15F pin # | Wire color           |
|--------------|-------------|-------------|----------------------|
| <b>CAM D</b> |             |             |                      |
| DV+          | 42          | 1           | Coax 1 Inner / Red   |
| DV-          | 41          | 2           | Coax 1 Outer / Red   |
| DCC1         | 12          | 14          | Coax 2 Inner / Green |
| DGND         | 28          | 13          | Coax 2 Outer / Green |
| DCC3         | 14          | 4           | Coax 3 Inner / Blue  |
| DGND         | 29          | 3           | Coax 3 Outer / Blue  |
| DCC5         | 44          | 8           | Coax 4 Inner / Black |
| DGND         | 29          | 3           | Coax 4 Inner / Black |
| DCC2         | 13          | 15          | Wire 1 / Blue        |
| DCC4         | 43          | 5           | Wire 2 / Green       |
| D+12V        | 15          | 7           | Wire3 / Red          |
| DPGND        | 30          | 6           | Wire 4 / Black       |
| Shield       | Shell clamp | Shell clamp | Shield               |
| <b>CAM C</b> |             |             |                      |
| CV+          | 38          | 1           | Coax 1 Inner / Red   |
| CV-          | 24          | 2           | Coax 1 Outer / Red   |
| CCC1         | 8           | 14          | Coax 2 Inner / Green |
| CGND         | 25          | 13          | Coax 2 Outer / Green |
| CCC3         | 10          | 4           | Coax 3 Inner / Blue  |
| CGND         | 26          | 3           | Coax 3 Outer / Blue  |
| CCC5         | 40          | 8           | Coax 4 Inner / Black |
| CGND         | 26          | 3           | Coax 4 Inner / Black |
| CCC2         | 9           | 15          | Wire 1 / Blue        |
| CCC4         | 39          | 5           | Wire 2 / Green       |
| C+12V        | 11          | 7           | Wire3 / Red          |
| CPGND        | 27          | 6           | Wire 4 / Black       |
| Shield       | Shell clamp | Shell clamp | Shield               |

| Signal       | HD44M pin # | HD15F pin # | Wire color           |
|--------------|-------------|-------------|----------------------|
| <b>CAM B</b> |             |             |                      |
| BV+          | 34          | 1           | Coax 1 Inner / Red   |
| BV-          | 20          | 2           | Coax 1 Outer / Red   |
| BCC1         | 5           | 14          | Coax 2 Inner / Green |
| BGND         | 21          | 13          | Coax 2 Outer / Green |
| BCC3         | 7           | 4           | Coax 3 Inner / Blue  |
| BGND         | 22          | 3           | Coax 3 Outer / Blue  |
| BCC5         | 36          | 8           | Coax 4 Inner / Black |
| BGND         | 22          | 3           | Coax 4 Inner / Black |
| BCC2         | 6           | 15          | Wire 1 / Blue        |
| BCC4         | 35          | 5           | Wire 2 / Green       |
| B+12V        | 37          | 7           | Wire3 / Red          |
| BPGND        | 23          | 6           | Wire 4 / Black       |
| Shield       | Shell clamp | Shell clamp | Shield               |
| <b>CAM A</b> |             |             |                      |
| AV+          | 31          | 1           | Coax 1 Inner / Red   |
| AV-          | 16          | 2           | Coax 1 Outer / Red   |
| ACC1         | 1           | 14          | Coax 2 Inner / Green |
| AGND         | 17          | 13          | Coax 2 Outer / Green |
| ACC3         | 3           | 4           | Coax 3 Inner / Blue  |
| AGND         | 18          | 3           | Coax 3 Outer / Blue  |
| ACC5         | 33          | 8           | Coax 4 Inner / Black |
| AGND         | 18          | 3           | Coax 4 Inner / Black |
| ACC2         | 2           | 15          | Wire 1 / Blue        |
| ACC4         | 32          | 5           | Wire 2 / Green       |
| A+12V        | 4           | 7           | Wire3 / Red          |
| APGND        | 19          | 6           | Wire 4 / Black       |
| Shield       | Shell clamp | Shell clamp | Shield               |

## 2.2 Bill of Material

- Assembly
  - The cable assembly must be RoHS compliant
- HD44M
  - Sub-D high-density 44-pin male connector
  - Sub-D locking mechanism: UNC 4-40 screw for hand screwing (no screwdriver required)
  - Black molded connector hood
  - *Quantity: 1*
- Composite cable
  - 4 Coaxial Cables 75 Ohms
  - 4 Discrete wires
  - Overall shield
  - Length: 25 cm
  - *Quantity: 4*
- HD15F
  - Sub-D high-density 15-pin female connector
  - Sub-D locking mechanism: UNC 4-40 screw for hand screwing (no screwdriver required)
  - Black molded connector hoods
  - *Quantity: 4*



### 3. HISTORY

#### **19 december 2006**

First version of the specification is released.



**Copyright Euresys s.a.  
2007**