

SPECIFICATIONS

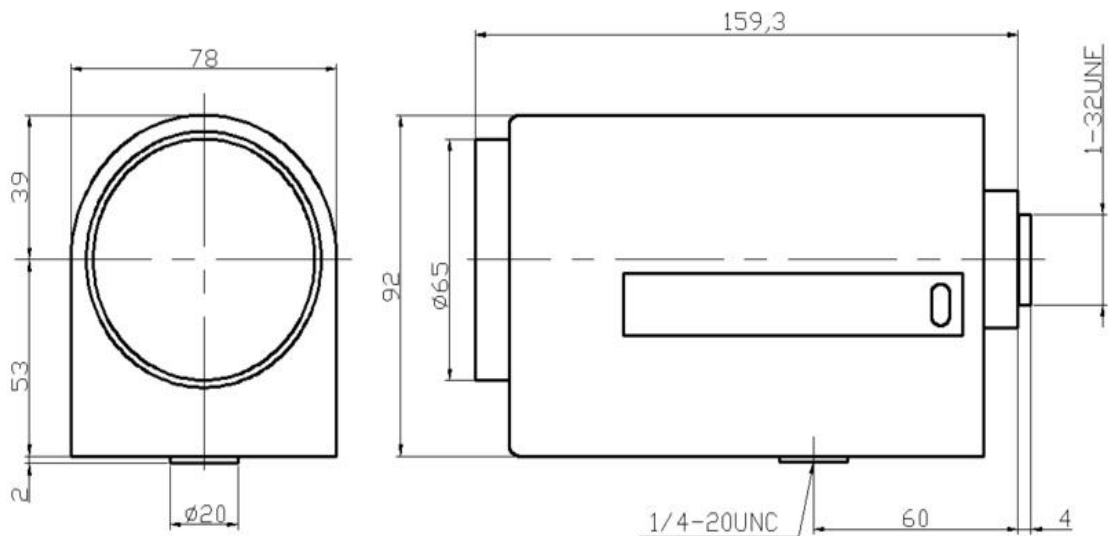
Parameter of Lens

Photo (Just for Reference)

Name	2Mega pixel/IR	
Model No	SL10210MIRMP-2P	
Focal-Length(mm)	10 ~ 210	
Aperture(D/f')	F2.0	
Mount	C	
Format(inch)	1/2"	
Field of View(H-fov)	34.7° ~ 1.8°	
Mega pixel	2	
Weight(g)	860	
M.O.D(m)	1.5	
Operation	Focus	Motorized
	Zoom	Motorized
	Iris	DC-Iris



Size



Tolerance

Dimension	0-10	10-30	30-100	Unit
	±0.10	±0.20	±0.30	mm